

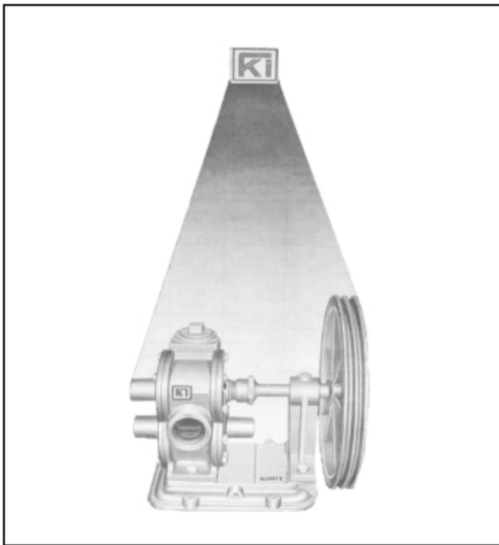
# KIRIT INDUSTRIES

since 1959

Kirit

Rotary gear pump

## PRODUCT DATA



### FEATURES

- The "K.I." series Rotary gear pumps are specially design for all type of viscous liquids.
- "K.I." special design optimize characteristic for mounting pump on tanker, trucks or any mobile vehicles for loading/unloading
- Design features easy installation & maintenance
- Wide range of flow rate according to the application
- Different mounting options for suction and delivery positions

### SPECIFICATIONS

Material body	Cast iron
Material inner part	Cast iron
Shaft	Steel
Internal thread	1 ½" to 3" Depending on type
Flange	Depending on type
Lit/min @100 RPM	45.4 to 147 Depending on type (see section "Specification of Rotary Gear pump")
Speed	100 to 300 RPM

### APPLICATION

The "K.I." rotary gear pumps are widely used for loading and unloading or transferring of bitumen, tar, ldo, furnace oils, castor oils, vegetable oils, chemicals, molasses, color and paints, soaps, silicate of soda, starch, glue, honey, glycerine, and many more other viscous materials, from and to the trucks, tankers, other mobile vehicles and plants manufacturing above materials. It is also used in bitumen sprayer machines, road paver machines, sugar mills, rolling mills, foundries. etc

## Specification of Rotary Gear Pump

MODEL	Lit/ MIN @100 RPM	SUCTION PIPE IN MM	DISCHARGE PIPE IN MM	PULLEYS			DISCHARGE HEAD IN FT.
				LF	I	V	
SSV 11	45.4	38	38	-	15x15	-	100
SSfl 11	45.4	38	38	8x2 <sup>1/2</sup>	-	-	100
SS 11	45.4	38	38	-	-	-	100
SSV 31	63.5	50	50	-	15x15	-	100
SSLF 31	63.5	50	50	8x2 <sup>1/2</sup>	-	-	100
SS 31	63.5	50	50	-	-	-	100
SSV 31 N	122.7	63	63	-	15x15	-	100
SS 31 N	122.7	63	63	-	-	-	100
SSV 51/ BSV 51	124.5	50	50	-	15x2 <sup>3/4</sup>	-	100
BSLF 51	124.5	50	50	12X3 <sup>1/2</sup>	-	-	100
SS 51	124.5	50	50	-	-	-	100
SSV 61/ BSV 61	147	63	63	-	20x2 <sup>3/4</sup>	-	100
SS 61	147	63	63	-	-	-	100
SSV 61/ BSV 61	147	76.2	76.2	-	20x2 <sup>3/4</sup>	-	100
SS 61	147	76.2	76.2	-	-	-	100
A.S.P	147	Flange	Flange	-	-	-	100

SSV = Side suction pump with "V" pulley  
SSLF= Side suction pump with loose and fast pulleys  
SS = Side suction pump without pulley  
BSV = Bottom suction pump with "V" pulley  
ASP = Asphalt sprayer pump

---

KIRIT INDUSTRIES

KIRIT INDUSTRIES  
NEAR GHIYANAGAR,  
OPP. UNION CO-OPERATIVE BANK,  
NARODA GAM, -382330  
AHMEDABAD, GUJRAT,  
INDIA.  
PH:- (O) +91-079- 22823126,0417  
EMAIL:- kiritindustries59@gmail.com

As improvements are made time to time specifications are subject to alteration without notice